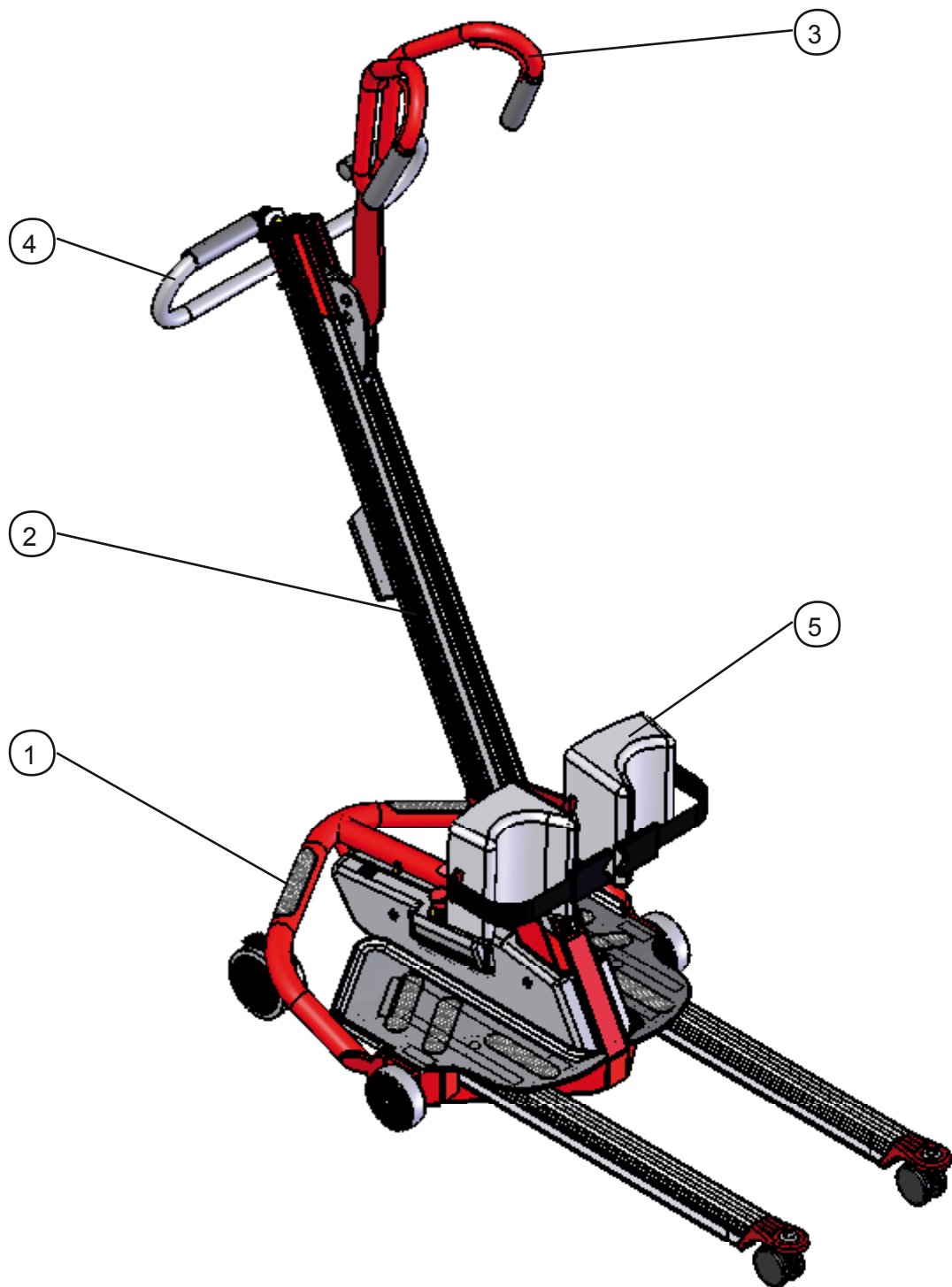
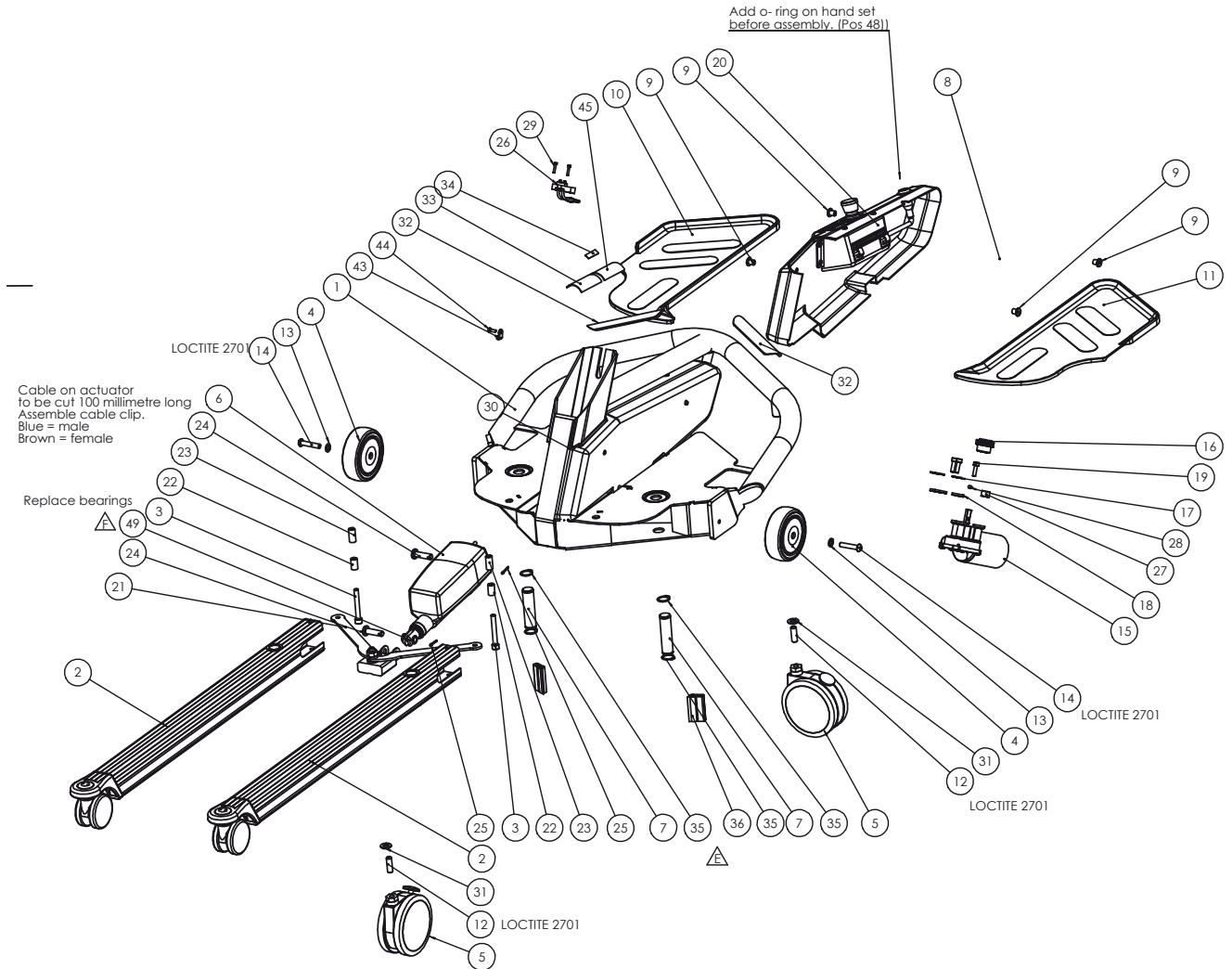


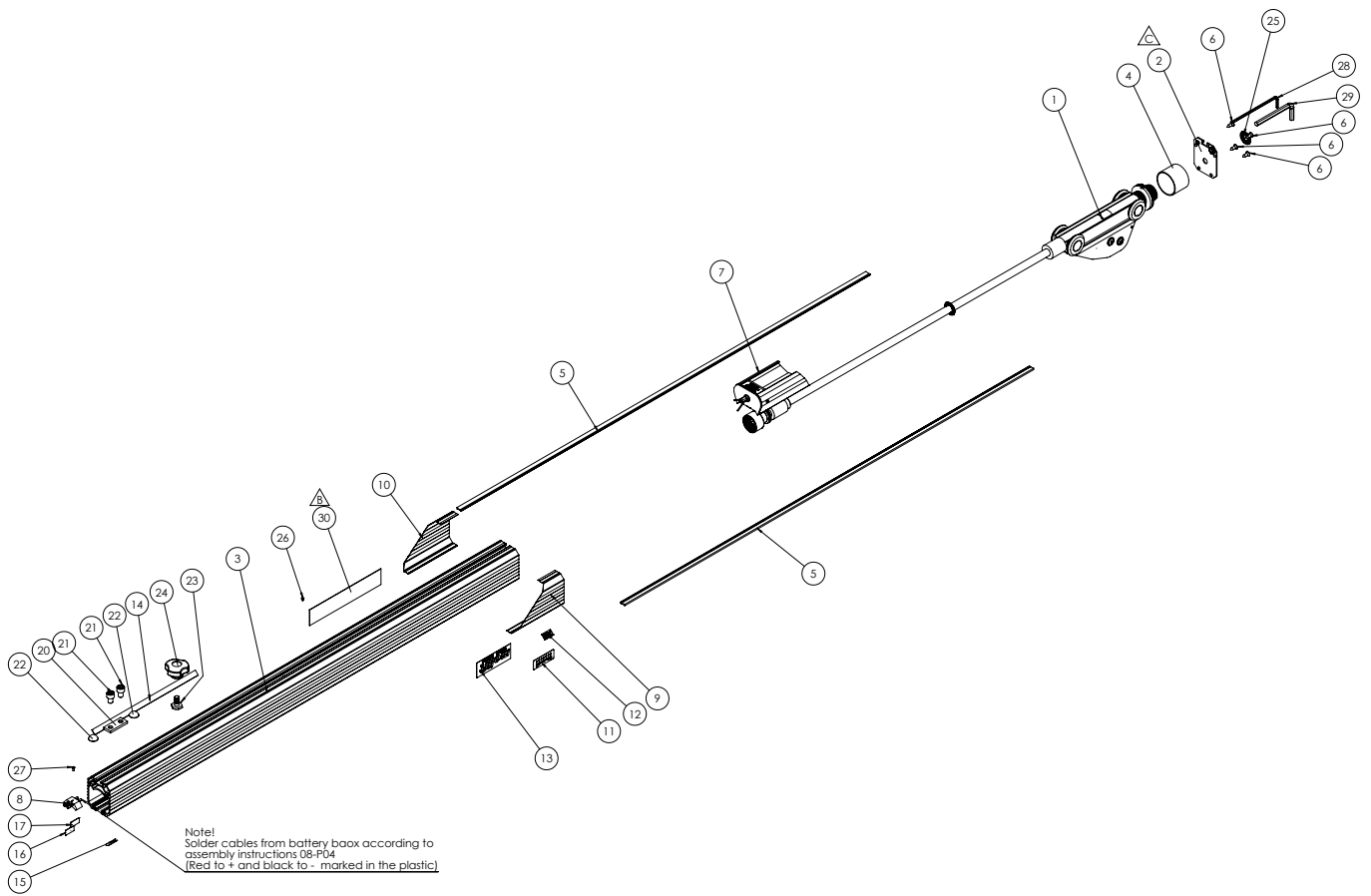
Main Components



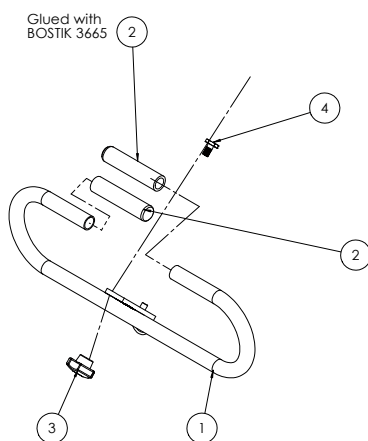
Chassis / Spreading mechanism for legs



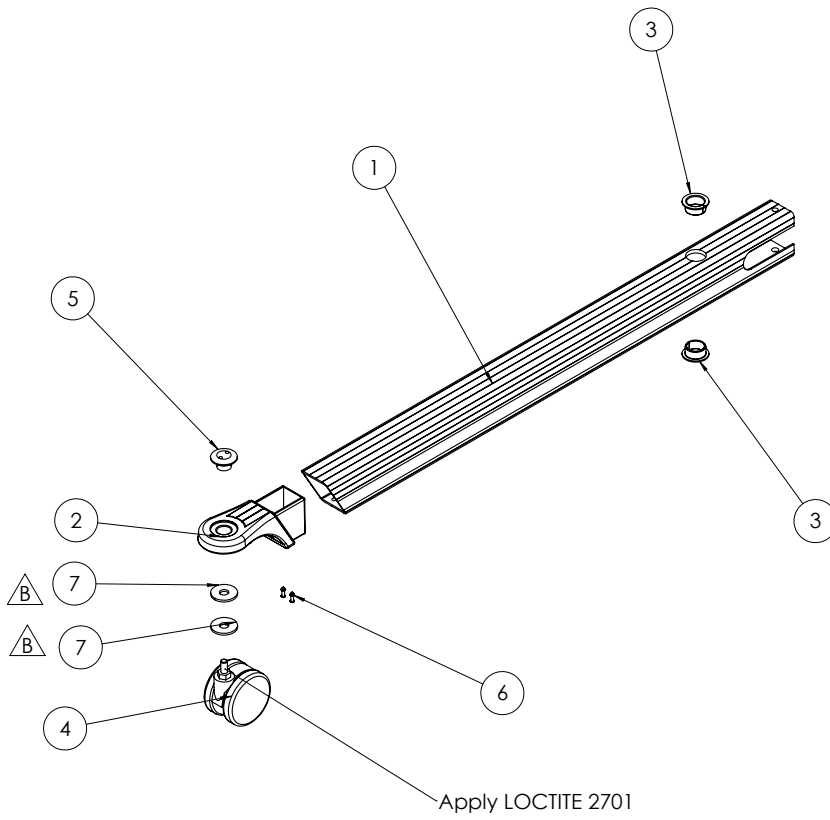
Lifting column



Drive handle

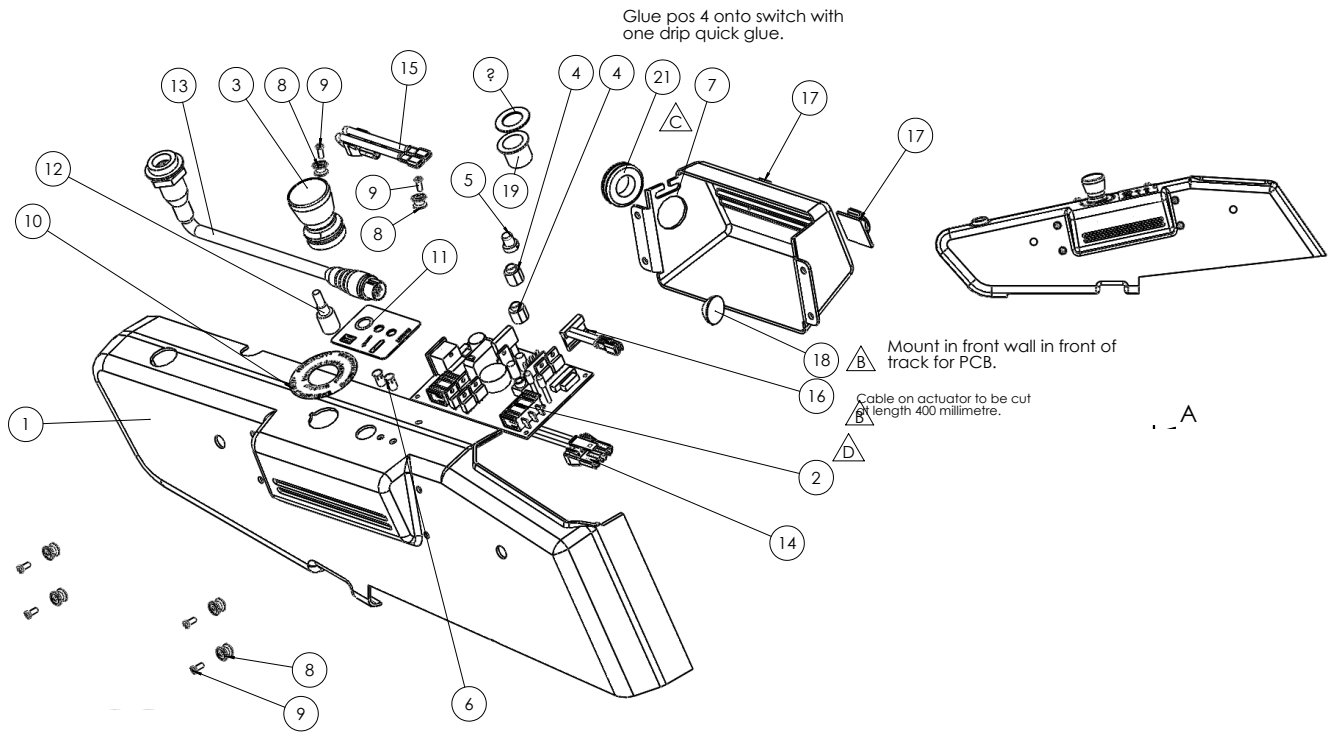


Leg



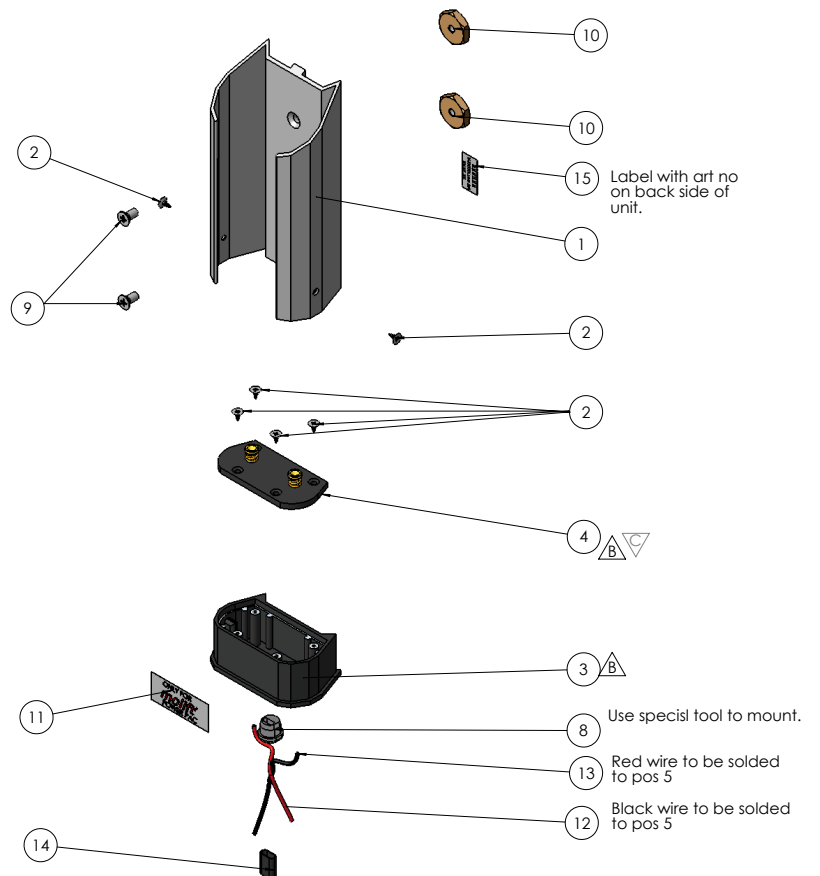
Cover with electronics QR2

Fig 1



Battery holder

Fig 2



Appendix F

Pos.	Qty	Art.no.	Description
Fig 1			KNEE SUPPORT COMPLETE
1	1	0455101	Knee support bracket long
2	2	0455105	Cushion, large
2	2	0251105	Cushion, small (optional)
3	1	0455109	Strap for knee support
(5			Label part. no.)

Pos.	Qty	Art.no.	Description

Knee support complete
Fig 1

